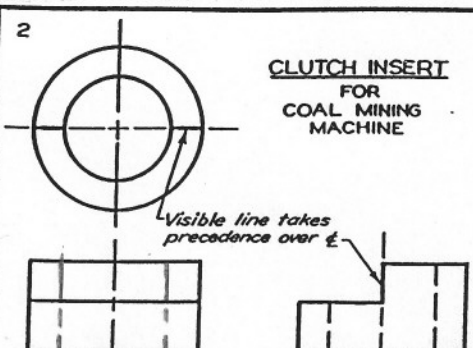
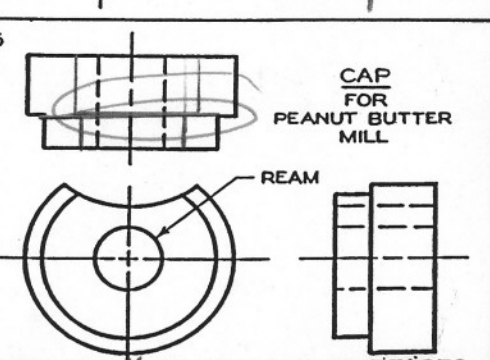
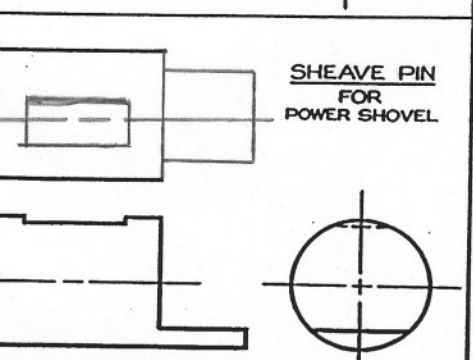
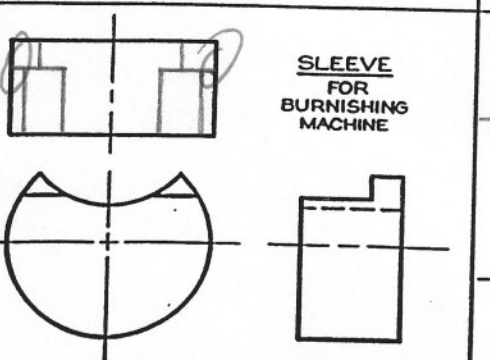
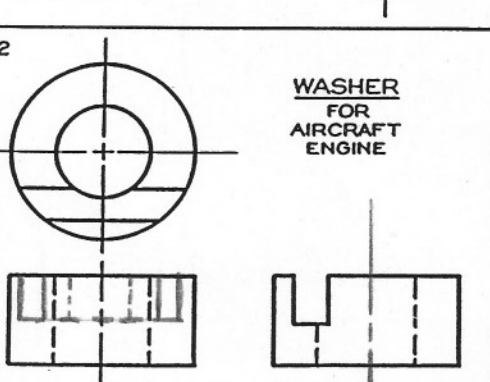
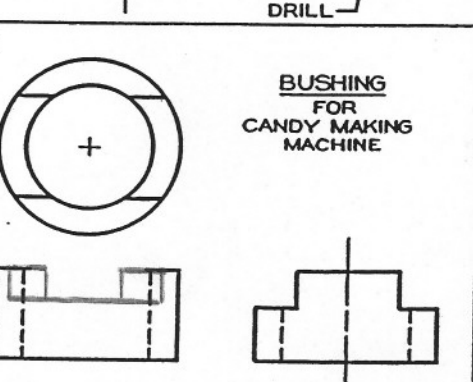
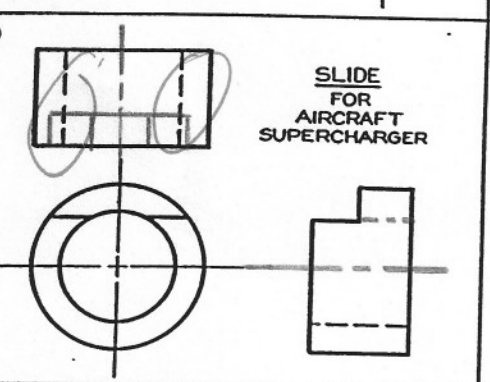
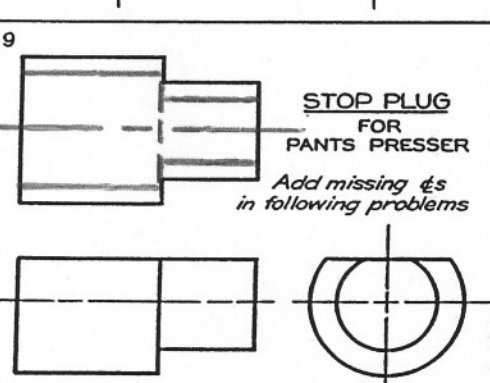
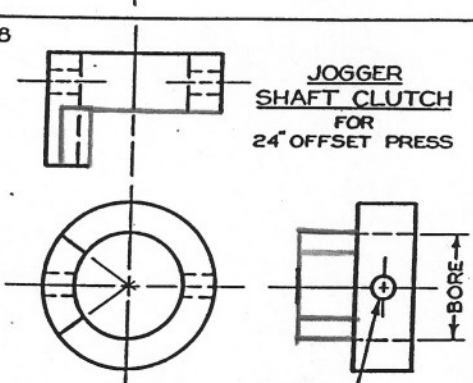
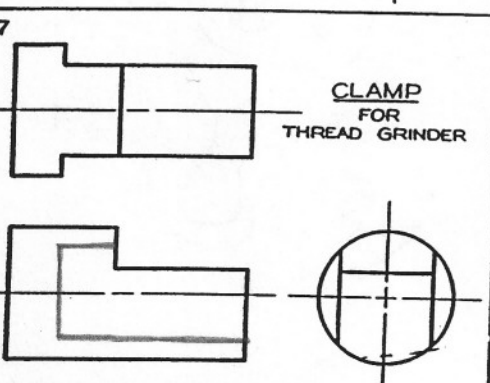
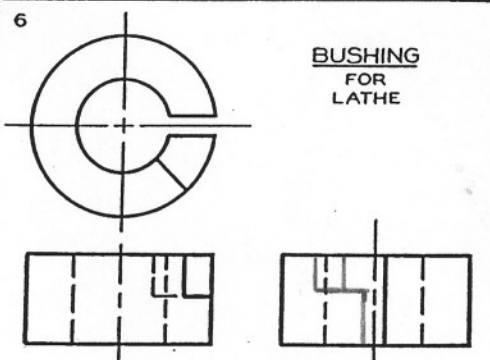
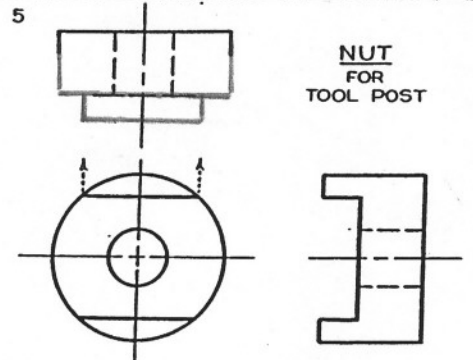
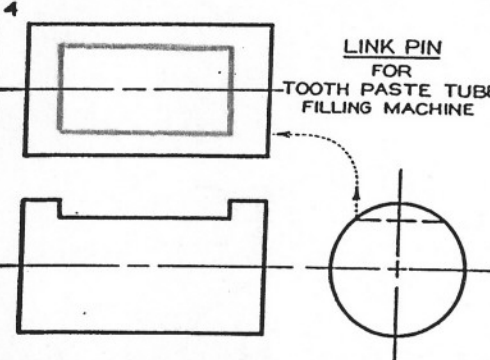
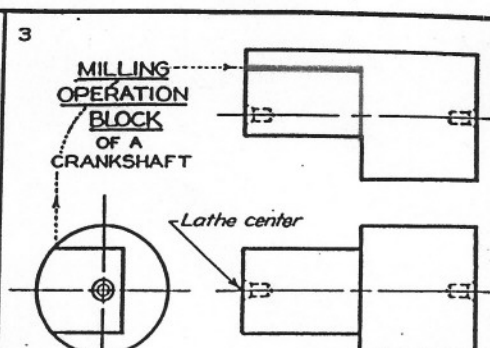


THERE ARE 3 CYLINDRICAL SURFACES.



THERE ARE 2 CYLINDRICAL SURFACES.



THERE ARE 4 CYLINDRICAL SURFACES.

GRADE	2	3	4	5
	6	7	8	9
			10	1/2

CYLINDRICAL SURFACES
Add Missing Lines

DRAWING
G-1